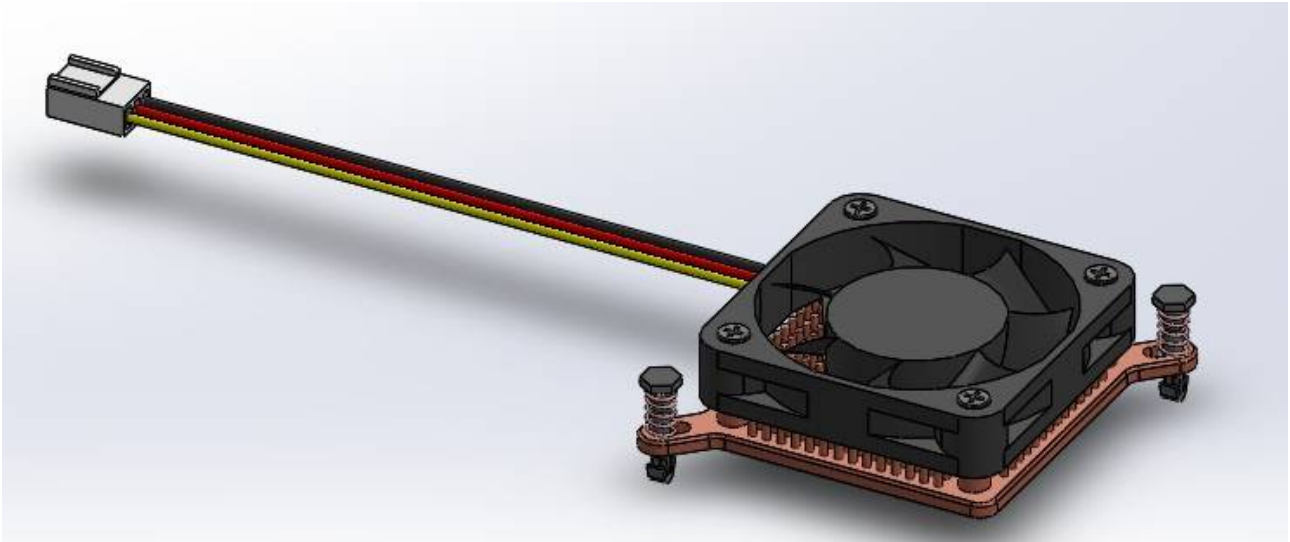


### Cooler



### SPECIFICATION

#### COOLER

Total dimension	62.8x62.8x17.0(H)mm
Weight	94.5g
Rth	1.428 °C/W

#### HEATSINK

Material	CU 1100
Technology	Forge
Dimension	62.8x62.8X6.6(h)mm
Base (thickness)	2.6 mm
Weight	75.6 g.
Finish	Redox

#### FAN

Dimension	50x50x10.3(H)mm.
Bearing	Vapo
Voltage	12 V.DC
Current	110 mA
Speed	5500 R.P.M.
Air flow	13.8CFM

#### Heat source

Dimension	37x37 mm
-----------	----------